

ARTICULIGHT

15-06 Morlot Avenue, Fair Lawn, NJ 07410 USA Tel: (201) 796-2690 Fax: (201) 796-8818

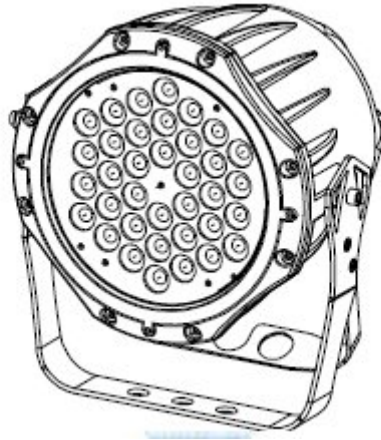
info@articulight.com

articulight@aol.com

www.articulight.com

LED SERIES

ARC PAINTER 36HO High Output IP65 RGB LED Color Changer



Aptly named, the ARC PAINTER 36HO is a newly developed outdoor/indoor High Output LED RGB color changer. It features a sturdy die cast aluminum body with a total of 36, one-watt red, green and blue LEDs evenly distributed to create a 15 degree beam angle (30 degrees is optional)With a housing rated at IP65 <http://articulight.com/acc/IPRatings.html>, it withstands rigorous outdoor conditions. The ARC PAINTER 36HO responds to the industry DMX-512 control, performing RGB mixing, seamless color transitions and fades, blackout, dimming, strobe and a fading pulse

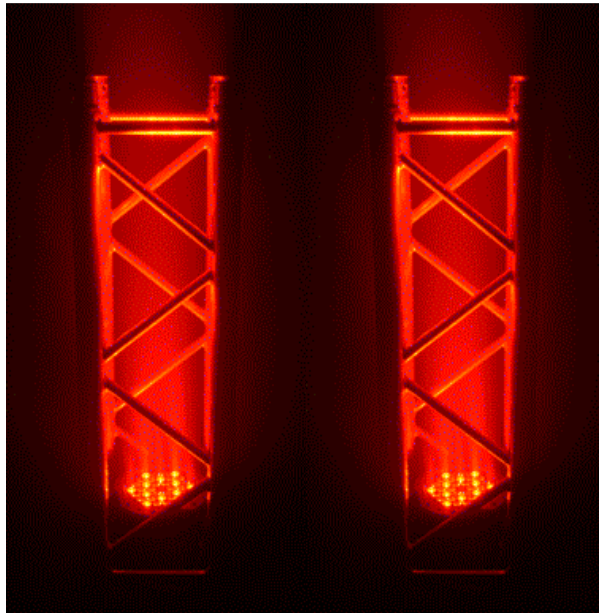
effect among other functions via 9 channels.



The ARC PAINTER 36HO has the ability to instantly or gradually change color as well as power on and off without delays for warm-up or lamp re-strikes. It is possible to daisy chain up to 20 units, which cuts down on power runs. On-board ID addressing system eases programming. The ARC PAINTER 36HO comes with built-in automatic color changing and fade programs as well as master/slave capability. The long expected life of the LEDs makes it ideally suited for permanent, hard-to-reach installations while its lightweight, compact profile and sturdy double yoke facilitate portability and ease of setup and use. Low heat emission, low current draw and silent operation- due to the absence of fan (direct air convection is the cooling method) or gel scrollers- are other pluses.



ARCHITECTURAL * DISPLAY * ENTERTAINMENT * RETAIL



CONTROL FEATURES

- * 9 channel DMX-512 LED spotlight/wash light (with ID addressing)
- * Blackout/static/dimmer/strobe/pulse
- * RGB color mixing with or without DMX controller
- * Built-in automated programs via master/slave, DMX
- * Program and recall custom programs via master/slave, DMX
- * RGB fade delay channel for snapping or fading



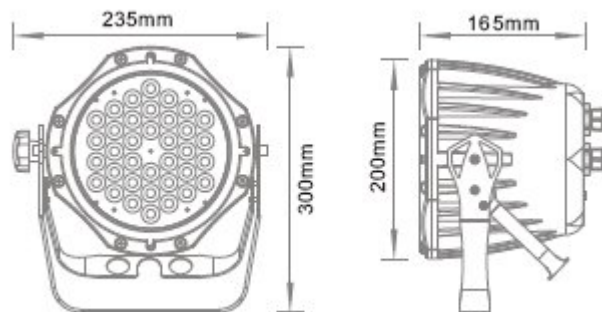
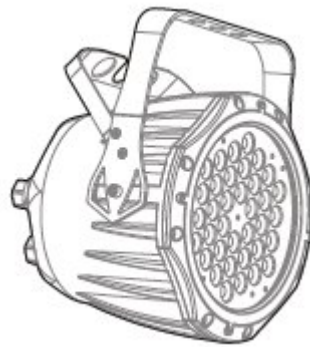
ADDITIONAL FEATURES

- * Available in white, black and silver
- * Durable and weather resistant IP65 rated
- <http://articulight.com/acc/IPRatings.html>
- * Additional power output for daisy chaining units (max 20 units @ 120V)
- * LED display with lock-out feature
- * Gel frame holder (4mm maximum thickness)
- * Low power consumption



OUTDOORS * INDOORS * WASHLIGHT * SPOTLIGHT

DIMENSIONS



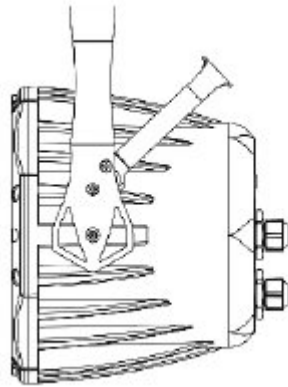
SPECIFICATIONS

Beam angle: 15° (30° is also available)
Light source: 18 (6 red, 6 green, 6 blue) 1W LEDs 100,000 hrs
Current draw: 51.3w (0.56A) Max
Power: Auto switching 100V-240V 50/60Hz, 45.6 (1.33A) at 120v
Weight: 10.5lbs (4.8kgs)
Dimensions: 15.7 inch x 13.4 inch x 11.4 inch (399mm x 340mm x 289mm) Fixture only: 235 x 165 x 300 mm (9.25 x 6.50 x 11.81 inches).
See drawings below.

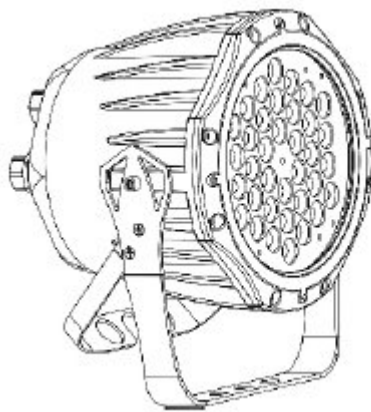


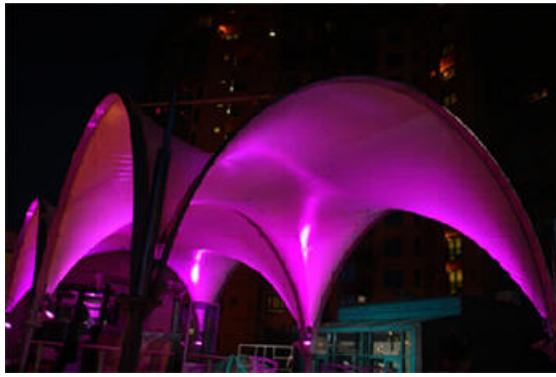
MOUNTING

The ARC PAINTER 36HO can be mounted in a hanging position using the support bracket. The bracket should be secured to the mounting truss or structure using a standard mounting clamp.

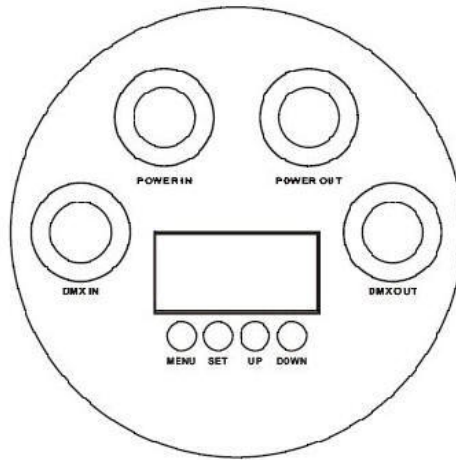


The ARC PAINTER 36HO can be also mounted in an upright or sitting position using the supporting brackets.

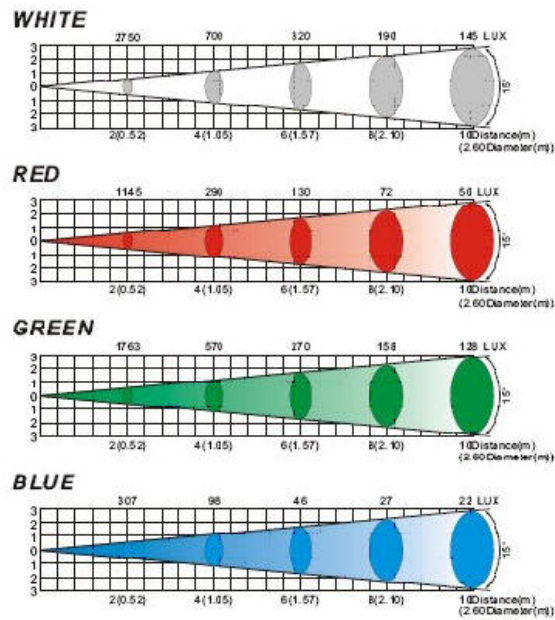




THE REAR VIEW OF THE PROJECTOR



PHOTOMETRIC DATA

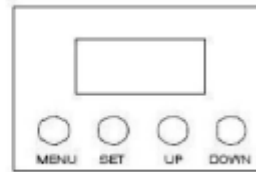




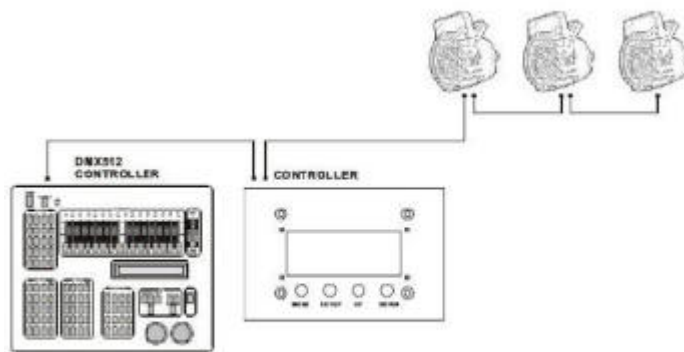
PIX CONTROLLER



Button	Function
<MENU>	Used to access the menu or to return to a previous menu option
<SET>	Used to select and store the current menu or option within a menu
<UP>	Scrolls through menu options in ascending order
<DOWN>	Scrolls through menu options in descending order



CONTROL WITH DMX

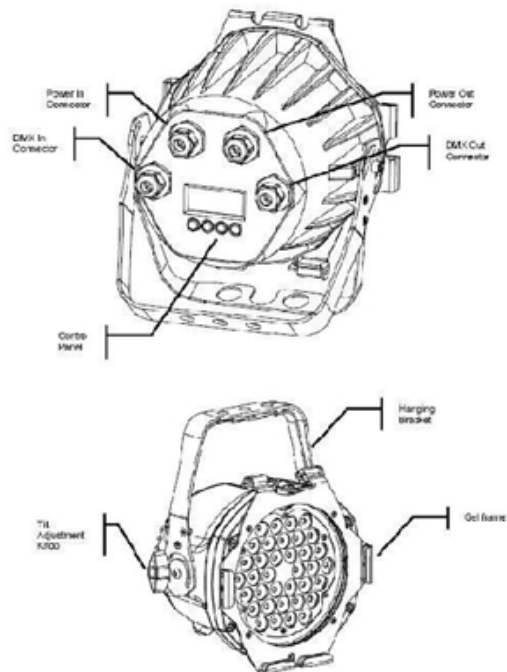


- 4- channel DMX-512 Controller
- Controls up to 100 (using ID addressing)
- 16 editable programs
 - 8 color wash

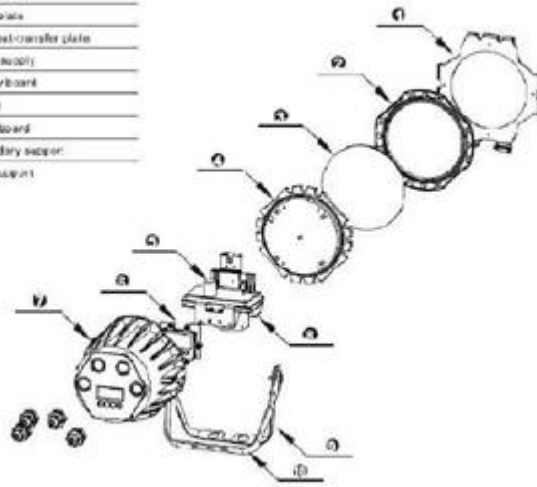
- 8 color changing
- 8 programmable shows each with 100 steps
- Full RGB color mixing
- Control of each projector
- Playback schedules via internal clock
- Digital LCD display with password protection
- Power : DC12V 500mA 110V or 230V
- Weight : 1 lb (0.5 kg)
- Size: 22.5in x 7.5in x 8.3in (178mm x 127mm x 51mm)
- With or without DMX controller



Product Overview



No	ITEM
1	Get motor
2	Upper cover
3	Glass plate
4	LED heat-transfer plate
5	Power supply
6	Display board
7	Gaming
8	Driver board
9	Secondary support
10	Main support



DUE DUE TO CONTINUOUS IMPROVEMENTS, SPECIFICATIONS MAY CHANGE WITHOUT PRIOR NOTICE.