

ARTICULIGHT

15-06 Morlot Avenue, Fair Lawn, NJ 07410 USA Tel: (201) 796-2690 Fax: (201) 796-8818

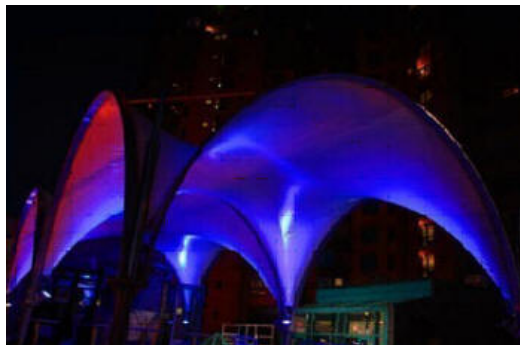
info@articulight.com

articulight@aol.com

www.articulight.com

LED SERIES

CHAMELEON 36-65
IP65 LED RGB Projector





Aptly named, the Chameleon 36-65 is a newly developed outdoor/indoor High Output LED RGB color changer. It features a sturdy die cast aluminum body with a total of 36 1 watt red, green and blue LEDs evenly distributed to create a 15 degree beam angle (30, 45, and 60 degrees are optional). With a housing rated at IP65 <http://articulight.com/acc/IPRatings.html>, it withstands rigorous outdoor conditions. The Chameleon 36-65 responds to the industry DMX-512 control, performing RGB mixing, seamless color transitions and fades, blackout, dimming, strobe and a fading pulse effect among other functions via 6 channels. Completely optimized, the Chameleon 36-65 uses the latest in electronic LED control to regulate and reduce premature LED burnouts.

The Chameleon 36-65 has the ability to instantly or gradually change color as well as power on and off without delays for warm-up or lamp re-strikes. It is possible to daisy chain up to 20 units, which cuts down on power runs. On-board ID addressing system eases programming. The Chameleon 36-65 comes with built-in automatic color changing and fade programs as well as master/slave capability. The long expected life of the LEDs makes it ideally suited for permanent, hard-to-reach installations while its lightweight, compact profile and sturdy double yoke facilitate portability and ease of setup and use. Low heat emission, low current draw and silent operation- due to the absence of fan (direct air convection is the cooling method) or gel scrollers- are other pluses.

The Chameleon 36-65 is equipped with PWM. PWM (Pulse Width Modulation) driving electronics is currently the only optimal technology appropriate for LED drivers. Other manufacturers increase input electrical current to boost the brightness of LEDs, at the great expense of LED reliability. With transformers, if one LED burns out, the next LEDs in a series would pass out in succession. PWM eliminates those issues. The Chameleon Tricolor 12 has PWM electronics integrated to safeguard the longevity of LEDs.

The Chameleon 36-65 is designed for outdoor and indoor applications. Suitable applications include wash and effect lighting for architectural, entertainment, display and retail uses. The Chameleon 36-65 can be also installed for use in signage and advertising using the dynamic functions available with DMX 512 control. Direct input of DMX 512 signal allows the fixtures to be controlled from any DMX512 controller. The Chameleon 36-65 can be operated as a single unit or in multiple units for large applications.

Whether you are in a band, part of a stage performance or just want to add color washes with RGB infinite color mixing possibilities to any lighting installation, the Chameleon 36-65 is the perfect solution to brilliantly light up any stage or surface. The Chameleon 36-65 is also performer friendly because it emits almost no heat onto the stage thus entertainers will stay cooler on stage. Just add the Chameleon 36-65 punch and you have got the optimal stage light show! With a very long lamp life the fixture will need virtually no servicing and produces the highest quality of output without color fading.

The Chameleon 36-65 has an auto switching power supply that can accommodate a wide range of voltages. the only thing necessary to do before powering on the unit is to make sure the line voltage supplied is within the range of the accepted voltages. The Chameleon 36-65 will accommodate between 80v and 240v AC. All fixtures must be powered directly off a switched circuit and can not be run off a rheostat (variable resistor) or dimmer circuit even if the rheostat or dimmer channel is used solely for 0% to 100% switch.



FEATURES AND BENEFITS

- Solid State Lighting, no moving parts
- PWM (Pulse Width Modulation) driving electronics
- Full RGB color mixing
- Over 16.7 million colors and hues possible
- Auto, Master/Slave, DMX
- On-board DMX (addressable via or LCD display)
- Full dimming capacity
- Flicker free
- Built-in sound activated programs
- Virtually no UV or IR
- No mercury or hazardous metals
- Emits virtually no heat
- Friendly on the environment
- Friendly on performers
- Virtually no maintenance
- Replacing standard par cans
- Long lamp life, 50,000 hours
- High quality components and highly skilled workmanship
- Great energy saving
- Easy to install, program and operate
- Lightweight and compact
- Can be installed universally

- Less to carry in mobile applications
- Designed for permanent, semi-permanent and mobile applications
- Opening for greater creativity like never before
- Direct air convection for cooling
- Narrow, medium flood and flood options for wash or effect lighting



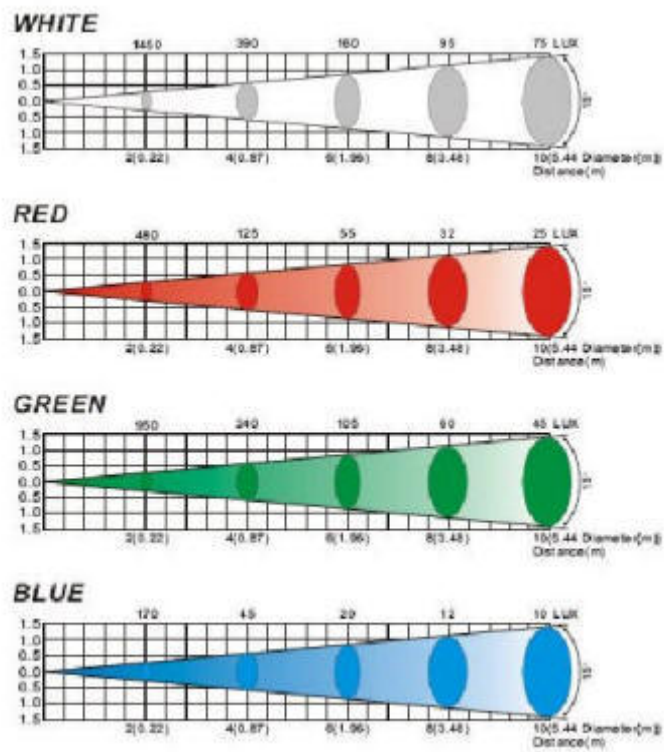
Technical Specifications

- Power Input: auto-ranging 80 - 240vAC, 50/60Hz
- Rated power: 50w, 1 internal 1 amp mini size fuse 5x20mm
- 36 high output LEDs, 12 each of red, green and blue all driven at 1 watt, 350ma
- Beam angle: 15° lens standard
- Optional beam lens angles (sold separately): 30, 45, and 60 degrees
- Thermally cooled internally by heat sink case
- Control: Sound, auto, master/slave and DMX
- On-board LCD display menu with 4 push buttons for settings
- Multiple modes include: a DMX 3, 4, 5, or 6, manual color settings, internal programs, master / slave using sound and auto speed settings
- Maximum DMX Channel Mode: Ch1 - Red level, Ch2 - Green level, Ch3 - Blue level, Ch4 - Master Dimmer, Ch5 - Macro, Ch6 - Strobe
- DMX In/Out: 3-pin XLR connectors
- Rating: IP 65 for outdoor use
- Maximum ambient temperature: 105 degree F (40 degree C)
- Minimum distance to flammable surface: 1 m (3.3 ft)
- Minimum distance to illuminated surface: 0.3 m (1 ft)
- Heavy duty, light weight die cast aluminum housing
- Dual yoke with 1/2" clamp mounting holes, for hanging or floor standing
- Dimensions: Please see below.
- Weight: 3.86Kgs/8.5Lbs
- Color: Black (also available in Silver)



PHOTOMETRIC DATA

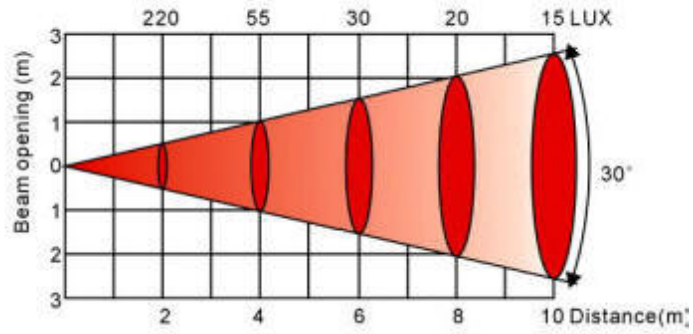
15 DEGREES



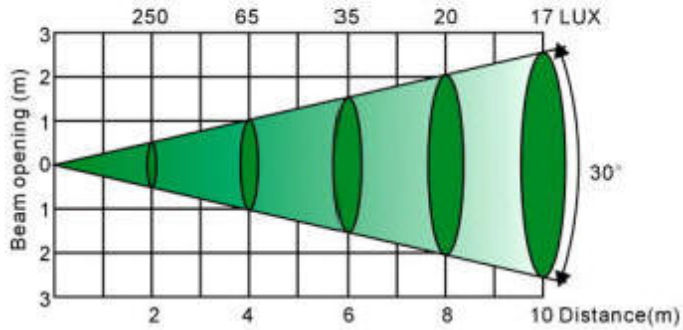
PHOTOMETRIC DATA

30 DEGREES

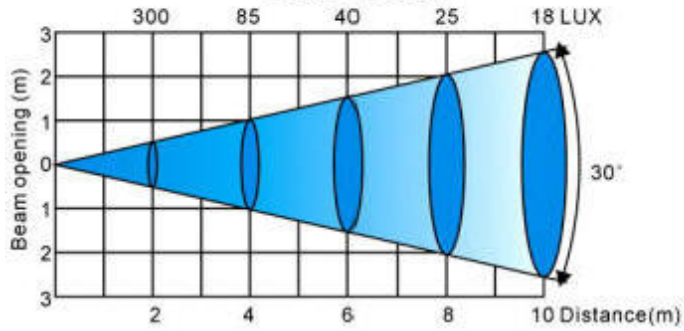
Red color



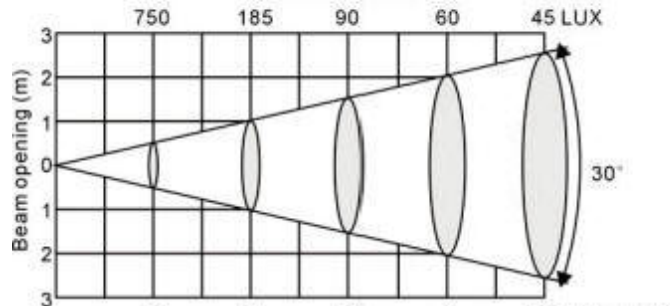
Green color



Blue color



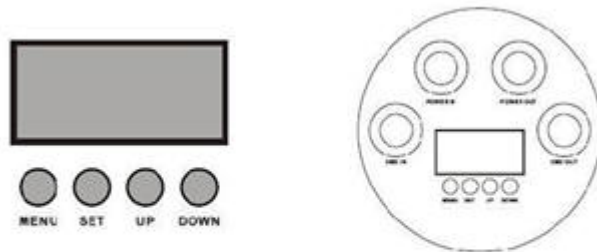
White color



LCD CONTROL PANEL

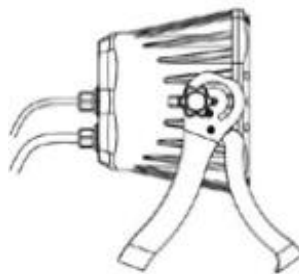


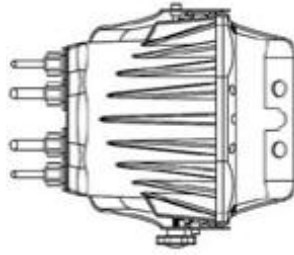
The LED fixture is mounted with a LCD display and 4 control buttons.



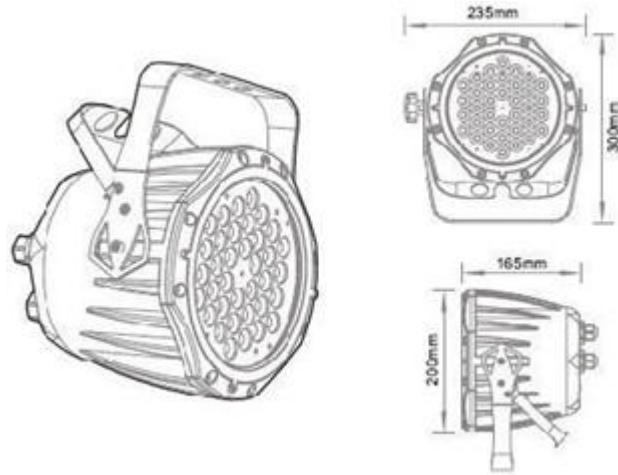
- [MENU]** scroll through the main menu or return to the main menu
- [SET]** enter the currently selected menu or confirm the current function value
- [UP]** scroll 'UP' through the menu list or increase the value of the current function
- [DOWN]** scroll 'DOWN' through the menu list or decrease the value of the current function





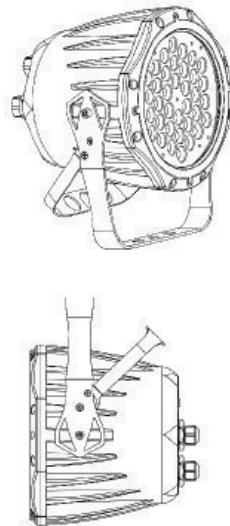


DIMENSIONS

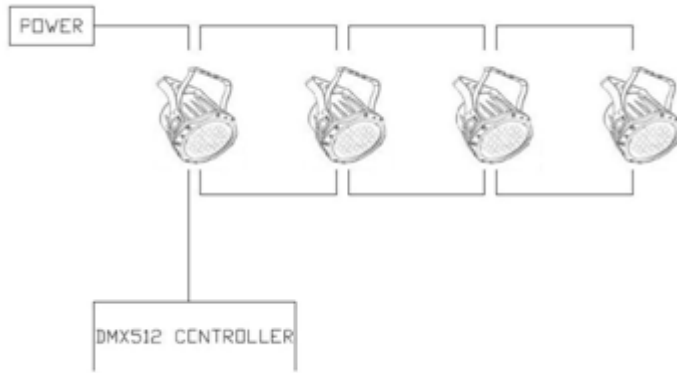


MOUNTING

The Chameleon 36-65 can be mounted in a hanging position using the support bracket. The bracket should be secured to the mounting truss or structure using a standard mounting clamp. Dual yoke allows the unit to be stood on the floor or clamp mounted as needed. The fixture can be mounted in any position provided there is adequate room for movement and ventilation.

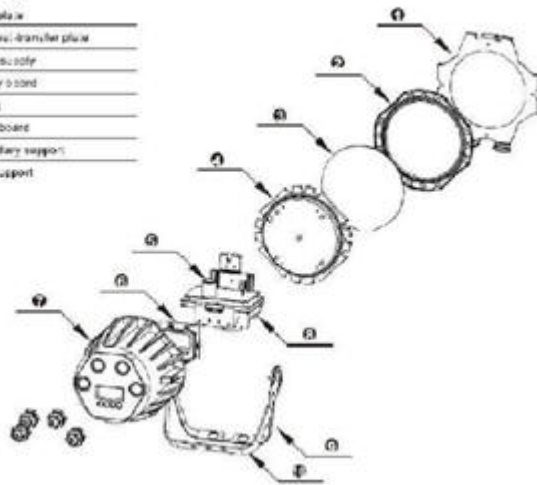


CONNECTION



PARTS

No	ITEM
1	Gel border
2	Upper cover
3	Crash plate
4	LED heat transfer plate
5	Power supply
6	Display board
7	Casing
8	Driver board
9	Secondary support
10	Main support



DUE TO CONTINUOUS IMPROVEMENTS, SPECIFICATIONS MAY CHANGE WITHOUT PRIOR NOTICE.