

ARTICULIGHT

15-06 Morlot Avenue, Fair Lawn, NJ 07410 USA Tel: (201) 796-2690 Fax: (201) 796-8818

info@articulight.com

articulight@aol.com

www.articulight.com

LED SERIES

LED WATER COLOR 102®



The LED WATER COLOR 102 model LG-102-24V-M carries a programmable microprocessor system allowing it to be programmed for a wide range of effects. The LED WATER COLOR 102 is water resistant for up to 3 feet (1 meter).



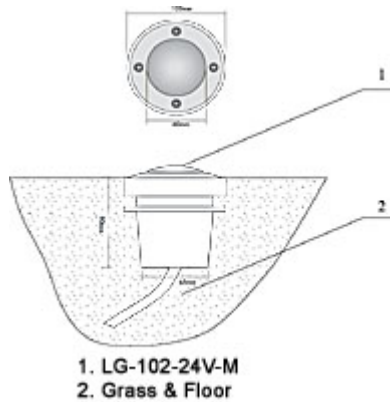
Applications include;
Gardens, parks, fountains, aquariums, swimming pools and ponds.

TECHNICAL DATA

Power:	1.44W
Current:	0.06A
Ø5 LED'S:	11 red, 6 green, 6 blue
Product Dimensions:	L100xW100xH100mm
Weight:	1260g
Lighting Diameter:	50mm
Maximum Water Depth:	3ft

Installation of LG-102-24V-M

LG-102-24V-M is most suitable to install in floor underwater or any other place that can embrace it. Firstly, prepare a hole in the near size of the LG-102-24V-M, then put it into the hole, leaving the surface of LG-102-24V-M at the same level of the floor (if the floor is earth or grassland, the surface of the LG-102-24V-M should be higher than the level of the floor), at last, make sure to fix the lamp. The installation drawing is shown as following:



Connecting to the SRC-171 controller
Please note that the connecting method just same as LG-102-24V-M.
One SRC-171 can control up to 25pcs of LG-102-24V-M, the distance of two lamps is recommended not to be longer than 2 meters.

Connecting to DMX controller
For DMX Controller, the connecting method & function just same as LG-102-24V-M.

