

ARTICULIGHT

15-06 Morlot Avenue, Fair Lawn, NJ 07410 USA Tel: (201) 796-2690 Fax: (201) 796-8818

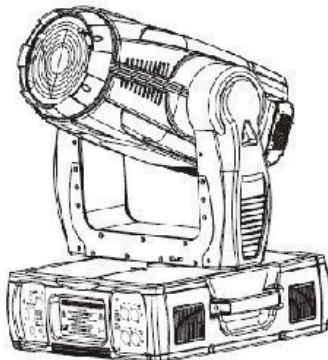
info@articulight.com

articulight@aol.com

www.articulight.com

INTELLIGENT LIGHTING

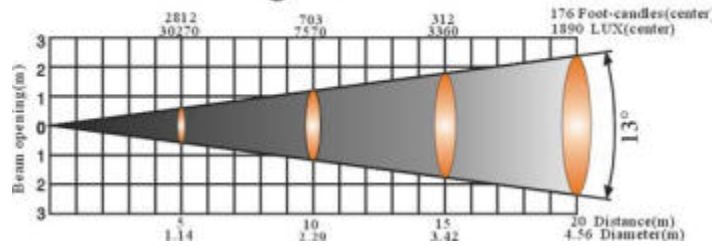
PRO WASH 1200 1200W Moving Wash



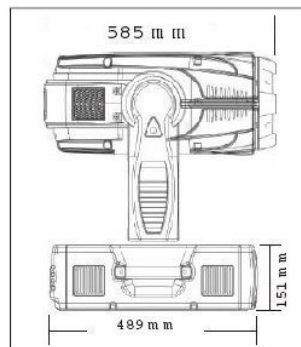
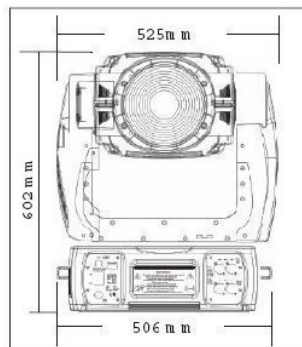
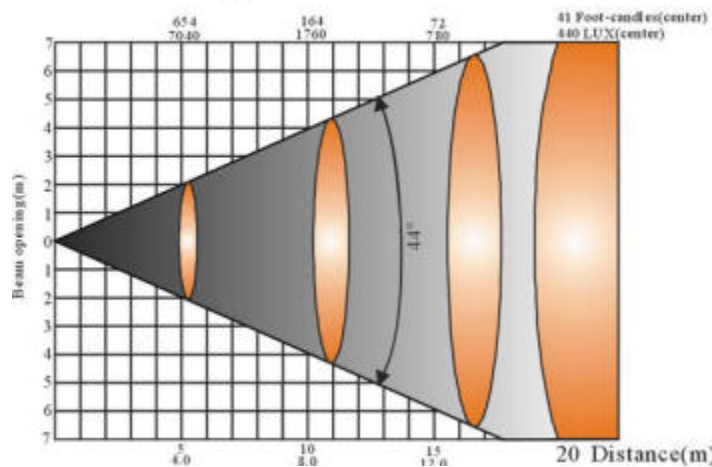
Features:	The PRO WASH 1200 is suitable for any club and stage. And the user can control it by DMX512 controller. The change of the color wheels helps you create beautiful wash lights.
Voltage:	AC 208/220/230/240V 50/60Hz
Fuse:	T10A@230V
Rated Power:	1450W
Channel:	18 channels
Lamp:	MSR1200 SA, GY22 base, Color temperature 6000K
Luminous Flux:	96,000 Lm
Color Temperature:	7200K
Average Lifespan:	750 hours
Focus:	electronic linear focus
Zoom:	Electronic linear zoom 10-44 degrees
Dimmer:	Smooth dimmer 0-100% Variable speed (1-10 flashes/sec) (plus random strobe effect)
Strobe:	Frost filter:smooth adjust 0-100% Iris:Electronic linear iris Remote lamp on/off
Working Mode:	DMX512 Pan 540 degrees; Tilt 280 degrees; Pan/Tilt speed Micro-step (8/16 bit)
Pan/Tilt:	Auto-repositioning by photoelectric repositioning

	system Linearity move speed adjust Color wheel 1 5 dichroic-filters & CTF 6000K Step/linear rotation (plus bi-directional rainbow-flow effect)
Color:	Color wheel 2 6 dichroic-filters Step/linear rotation (plus bi-directional rainbow -flow effect)
CMY System:	CMY color mixing system
Color Temperature:	Variable 3200K-6000K (0-100%) Color temperature/CMY speed 31 CMY macros

Beam angle 13° -Min zoom



Beam angle 42° with frost



9.DM X 512 CHANNEL FUNCTION

Channel	Function
1	Pan
2	Pan Fine (16BIT)
3	Tilt
4	Tilt Fine (16BIT)
5	Pan & Tilt Speed
6	Lamp on/off, Reset
7	Colour Wheel 1
8	Colour Wheel 2
9	Cyan
10	Magenta
11	Yellow
12	3200K Conversion Temperature Effect--CTO
13	CYM +CTO Color Mix effect
14	CYM +CTO Speed adjust
15	Fresnel Opening
16	Zoom
17	Strobe
18	Dimmer Intensity

DUE TO CONTINUOUS IMPROVEMENTS, SPECIFICATIONS MAY CHANGE WITHOUT PRIOR NOTICE.