

ARTICULIGHT

15-06 Morlot Avenue, Fair Lawn, NJ 07410 USA Tel: (201) 796-2690 Fax: (201) 796-8818

info@articulight.com articulight@aol.com www.articulight.com

LED SERIES

RECESSA 250

RECESSED LED RGB COLOR CHANGER



The RECESSA 250 in-ground range brings high standards to the world of exterior and interior lighting. The RECESSA 250 RGB is a beautiful LED

fixture for flush, recess and in-ground mounting. It produces stunning controllable RGB mixed color directly from the source.

Aptly named, the RECESSA 250 , a recessed LED fixtures, comes in two models to meet various needs: RECESSA 250 Blue/Green/White model LEE-SC-DIA220-120V/240V-B/G/W and RECESSA 250 RGB model LEE-SC-DIA220-120V/240V-M uses Red, Blue or Green LEDs as light source and can be controlled by DMX controller or by preprogram in master/slave function to give different lighting effects, such as steady/static, multicolor, flashing, and fading. Its housing is made of aluminum alloy, tempered glass and stainless steel. And it is suitable for outdoor and indoor decoration and display such as buildings, towers, hotels, plazas, dancing halls, parks, pathway, accent lighting, landscape lighting and casinos just to name a few. It can be recessed on wall, ceiling, floor and in-ground. For every 60 fixtures we strongly recommend adding a signal amplifier.



Specifications

Models:

RGB: LEE-SCDIA220- 120V/240V-M

BLUE: LEE-SC-DIA220- 120V/ 240V-B

GREEN: LEE-SC-DIA220- 120V/ 240V-G

WHITE: LEE-SC-DIA220- 120V/ 240V-W

Color: RGB: 16,700,000 different color changes by mixing RGB (LEE-SCDIA220- 120V/240V-M) for a full smooth saturated colors or mono

color blue/green/white (LEE-SC-DIA220- 120V/ 240V-B/G/W)

Light Source: ultrabright LED; 135 LEDS (45 red, 45 green and 45 blue); 0.05w per LED

Beam Angle: 22.5 degrees

Protection Rating: IP 65 for dry, wet and damp environments.

Temperatures: <60 degrees C light generated heat. Normal Ambient operating temperatures: -30 degrees C to 40 degrees C.

Housing: Composed of die-cast aluminum; heat treated glass aperture plate, capable of sustained pressure of up to 3,000 kgs (6,600 lbs) of static pressure; stainless steel face cover.

Communication Specifications

Data Connection and addressing:

DMX512; 3 channels;

channel 1 red,

channel 2 green,

and channel 3 blue.

Addressing by SRC-AI-100.

Signal transferring format: standard DMX protocol (RS485 terminal)

Control System: DMX 512 or stand alone with SRC-AI-100

DMX address: DMX512 , 3 channels; 1. red 2. green 3. blue. Each channel with Value equals to 0-255 and Function 0-100% intensity.

Controller: M/S or DMX512 controller

DMX Signal Input: 3-pin male connector

Electrical Specifications

Power Input: 100V-240V

Power Consumption: 12W

Display Instructions

Static Color Display: Monochromatic static display

Multicolor Changing Display: M/S or DMX512 controlling mode to

control synchronous change and other functions (Only LEE-SC-DIA220-120V/240V-M)

Lamp Life Span: 100,000 hours.

Dimensions: Outer Diameter: 250 mm (9.84"); Inner Diameter: 183 mm (7.2"); Height: 85.3 mm (3.36")

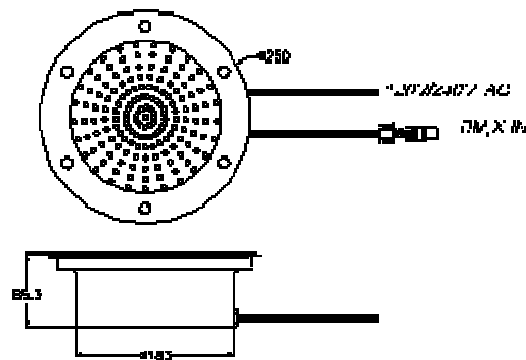
Weight: 2.5 kg. (5.5 lbs)

DIMENSIONS DRAWING

Outer Diameter: 250 mm (9.84");

Inner Diameter: 183 mm (7.2");

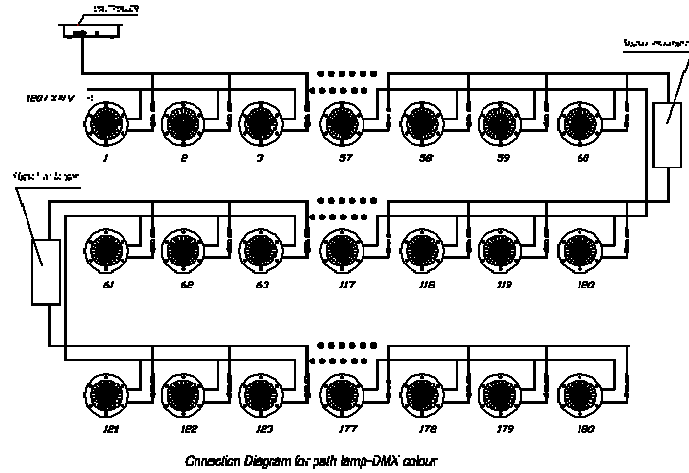
Height: 85.3 mm (3.36")



Standard LED path lamp-DMX colour

CONNECTION DIAGRAM

FOR RGB VERSION: DMX CONTROLLER TO UNIT AND SIGNAL AMPLIFIER EVERY 60 UNITS



DUE TO CONTINUOUS IMPROVEMENTS, SPECIFICATIONS MAY CHANGE WITHOUT PRIOR NOTICE.