



15-06 Morlot Avenue, Fair Lawn, NJ 07410 USA Tel: (201) 796-2690 Fax: (201) 796-8818

info@articulight.com

articulight@aol.com

www.articulight.com

## ARCHITECTURAL COLOR CHANGERS

---

### MAX 2™ 2000W CYM Moving Head



Aptly named, the MAX 2™ model 4200PR is a new moving head high power CYM narrow variable single beam color changer searchlight. This concept in such a high lamp power fixture is almost unique and the combination of moving beam and color change provides a truly spectacular display that would be a highlight for any permanent or temporary event.

MAX 2™ shares the same lamp and color change assembly as the static beam, and uses the same Xenon 2000W flicker free lamp with nickel rhodium plated reflector to give an extraordinary light output, further enhanced by the narrow angle beam, zoomable between 13-22 degrees. The CYM color mixing system gives an enormous range of color hues,

and the unit is certified to an IP20 rating and so is specifically designed for exterior use.

The base unit features brake locking wheels and screw jacks for leveling (assisted by onboard spirit level) and stabilizing the unit, transit locks are provided for the pan and tilt movement and the unit is designed for reliability even in tough use, being built from aluminum and galvanized steel with scratch resistant textured polyester black finish.

The high technology lamp and color changing/zoom optics section from our searchlights is already proven, but the same attention to detail has been paid to the new base unit, and, for example, brushless servo motors are used for the pan and tilt movement to ensure high reliability and precision.

Onboard or remote DMX512 gives access to all functions, which include frost soft edge effect, blackout, dimmer, strobe and standby. Although it is likely that this unit will normally be run by external DMX (13 channels required), on board preprogrammed color sequences plus a movement demo program means that the unit could be used in a stand alone mode.

The outstanding MAX 2™ has huge creative possibilities, both with architectural and color changing sky projector applications as well as with live event use, and this wide range of abilities make the unit ideal for rental companies as well as for fixed installation in large scale concepts.

Extraordinary output is given also by its nickel rhodium plated reflector. The CYM color mixing system gives a rich range of color hues. Shooting distance is up to 3 kilometers (1.875 miles).

The MAX 2™ comes with a bulb and a flightcase.



#### **TECHNICAL SPECIFICATIONS**

Lamp: XQ2000 xenon, 2000w, Double ended; 800 hours, 6000 degrees K color temperature

Color System: Full CYM color mixing, unlimited variety of colors and shades - High resolution stepper motors . - Color crossfades can be programmed at four different speeds or in real time

Dimmer/Shutter/Strobe: Smooth dimmer from 0% to 100% ; Blackout, Strobe: 1-17 Fps

Focus: DMX controlled

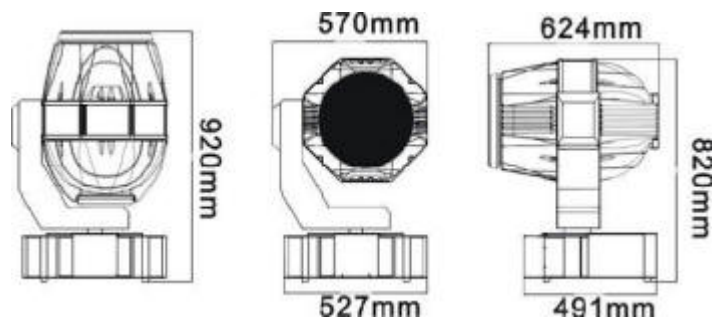
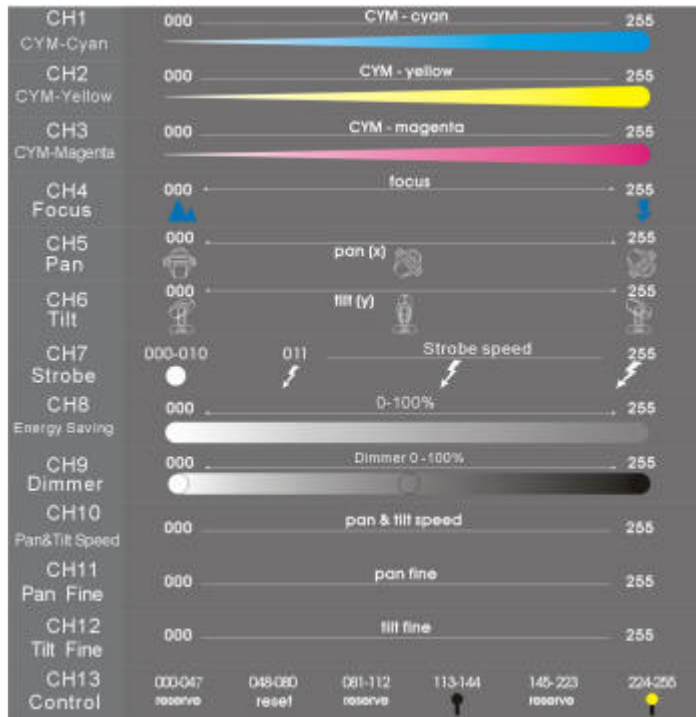
Zoom and Beam Angle: 13-22 degrees, adjustable.

Frost: Frost filter for diffused beam effect; DMX controlled 0-100% smooth adjustable

Pan: 400 degrees, position auto correction, microstep 8/16 bit

Tilt: 250 degrees, position auto correction, microstep 8/16 bit with photoelectric positioning for 16 bit resolution

DMX Channels: 13 or 10  
 Control Options: DMX 512. 10 Channels in short mode; 13 channels in standard mode. 3 pin and 5 pin DMX 512 interface. Stand alone automatic, master/slave, on-board control, remote control  
 Power Requirements: 220-230-240 v/50-60Hz. Rated Power: 2650w  
 IP Rating: IP 20  
 Standards: In conformity with CE standard and ROHS directive  
 Cooling: Very quiet convection and forced cooling  
 Dimensions: See Below. Packed: L 71 x W 66 x H 104 cm (27.95 x 25.98 x 40.94 inch)  
 Net Weight: 58 kgs (127.6 lbs)  
 Finish: Metal, black  
 Projection Distance: Up to 3 kilometers (1,875 miles)  
 Other Functions: Programmable function; Pan and tilt speed adjustable:  
 Display shows lamp and projector hours; Overheating protection; LCD display, brightness and contrast adjustable.



DUE TO CONTINUOUS IMPROVEMENTS, SPECIFICATIONS MAY CHANGE WITHOUT PRIOR NOTICE.