

# ARTICULIGHT

15-06 Morlot Avenue, Fair Lawn, NJ 07410 USA Tel: (201) 796-2690 Fax: (201) 796-8818

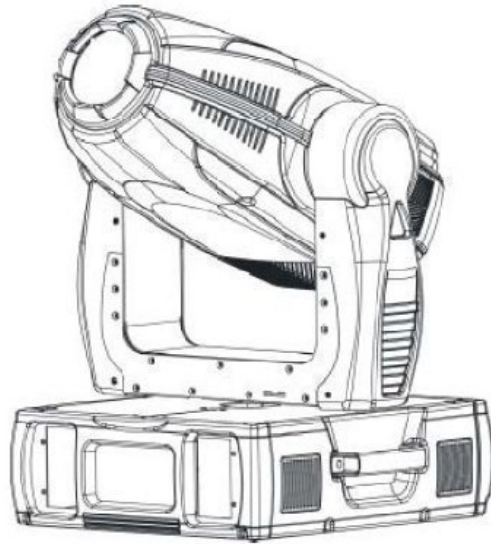
info@articulight.com

articulight@aol.com

www.articulight.com

## INTELLIGENT LIGHTING

### SHOW SPOT 1200 1200W Moving Spot



**Gobo Wheel A**

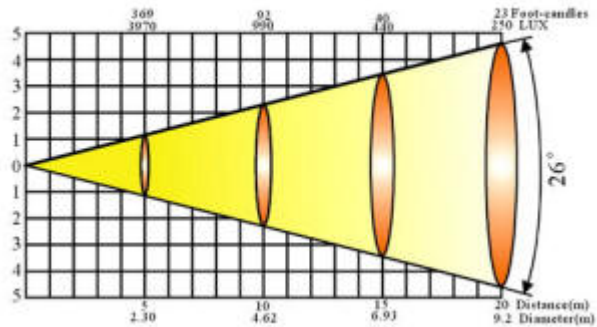


**Gobo Wheel B**



<b>Voltage:</b>	AC....208/220/230/240V,50/60HZ
<b>Fuse:</b>	T20A@120V,T10@230V
<b>Rated Power:</b>	1600W
<b>Channel:</b>	24/32 CHS
<b>Lamp:</b>	MSR 1200SA, base GY22
<b>Luminous Flux:</b>	96,000 Lm
<b>Color Temperature:</b>	7200K
<b>Average Life span:</b>	750 hrs
<b>Focus:</b>	Electronic linear focus
<b>Zoom:</b>	Electronic zoom 13 - 42 degrees
<b>Dimmer:</b>	Smooth dimmer 0 - 10 flashes/sec)(plus random strobe effect)
<b>Working Mode:</b>	DMX512 Pan 530 degrees Tilt 280 degrees
<b>Pan/Tilt:</b>	Pan/Tilt speed Micro-Step(8/16bit), Position auto-correction Gobo wheel 1 6 gobos
<b>Rotating Gobo:</b>	(interchangeable) Gobo-flow effect Bi-directional rotation & 0- 540 indexing Gobo wheel 2 6 gobos (interchangeable) Gobo-flow effect Bi-directional rotation & 0 - 540 indexing 3-facet prism,5-facet prism,estriado lens & diamond lens Bi-directional rotation
<b>Effect Wheel:</b>	4 dichroic-filters,UV,CTF 6000K plus white Step/linear rotation (Plus bi-directional rainbow - flow effect)
<b>Color:</b>	CMY color-mixing
<b>CMY System</b>	Color Temperature: Variable 3200-6000k (0-100%) Color Temperature/CMY speed

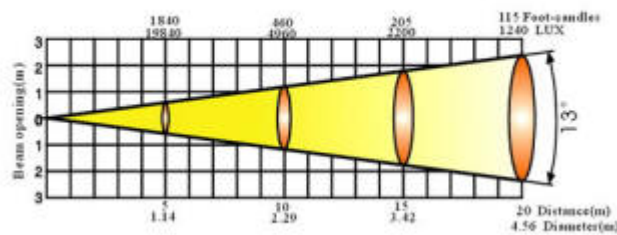
### Beam angle 13° with frost



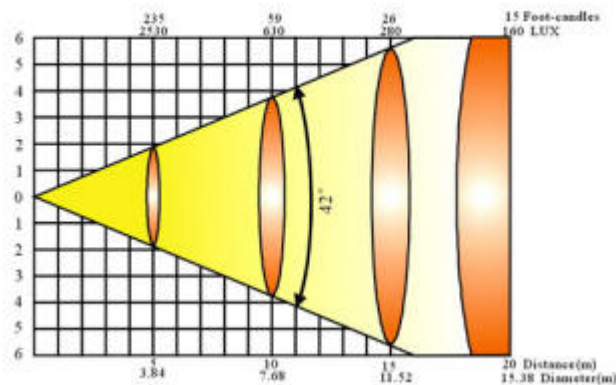
## DMX512 CHANNEL FUNCTION

CHANNEL	FUNCTION
1	Pan
2	Pan micro-step
3	Tilt
4	Tilt micro-step
5	Scan Speed
6	Lamp ON/OFF & reset
7	Colour
8	Cyan
9	Magenta
10	Yellow
11	3200k color temperature rectification(cto)
12	CYM+CTO speed adjust
13	Gobo wheel A
14	Gobo rotation (gobo wheel A)
15	Gobo wheel B
16	Gobo rotation (gobo wheel B)
17	Prism wheel
18	Prism rotation
19	Frest
20	Iris
21	Zoom
22	Focus
23	Strobe
24	Dimmer

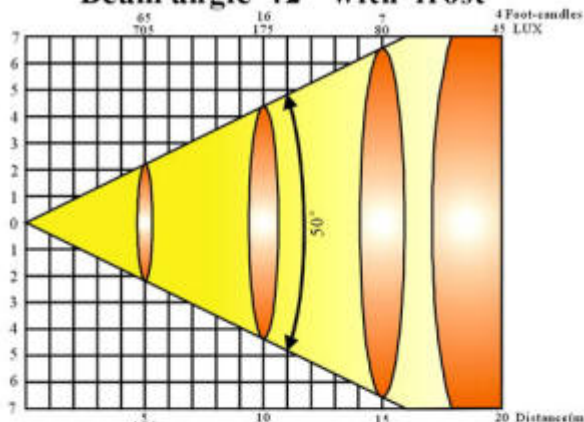
### Beam angle 13° - min. Zoom



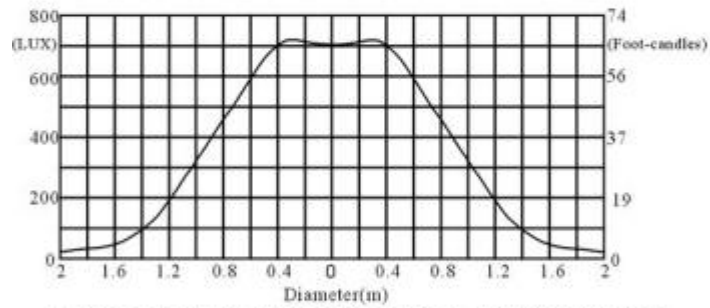
### Beam angle 42° - max. zoom



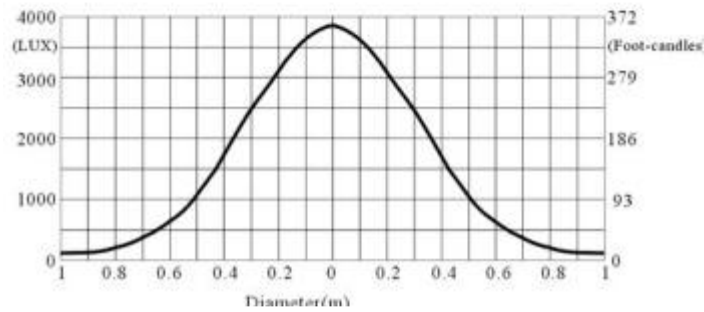
**Beam angle 42° with frost**



**Beam angle 42° with frost, distance=5m**



**Beam angle 13° with frost, distance=5m**



DUE TO CONTINUOUS IMPROVEMENTS, SPECIFICATIONS MAY CHANGE WITHOUT PRIOR NOTICE.